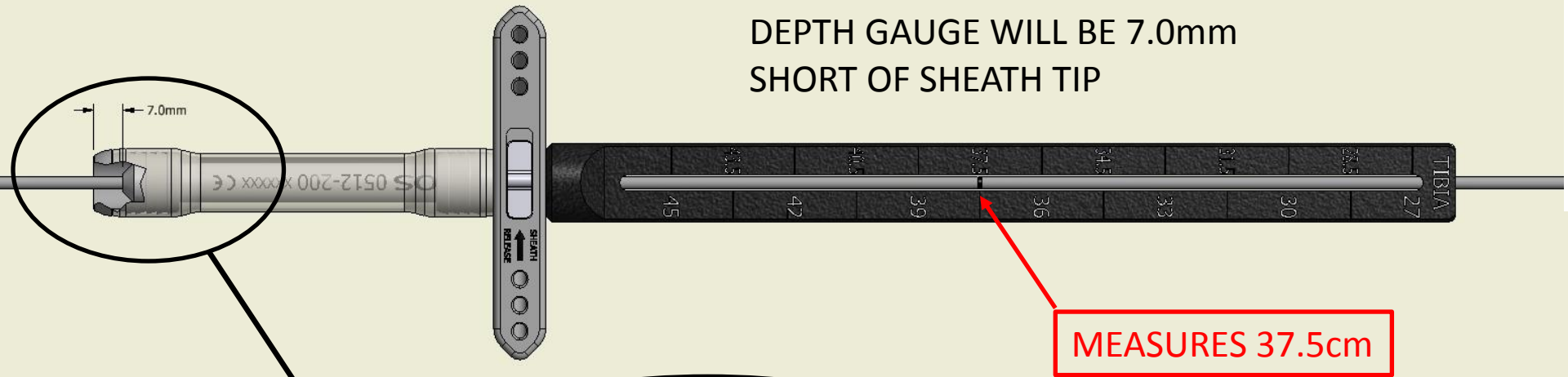
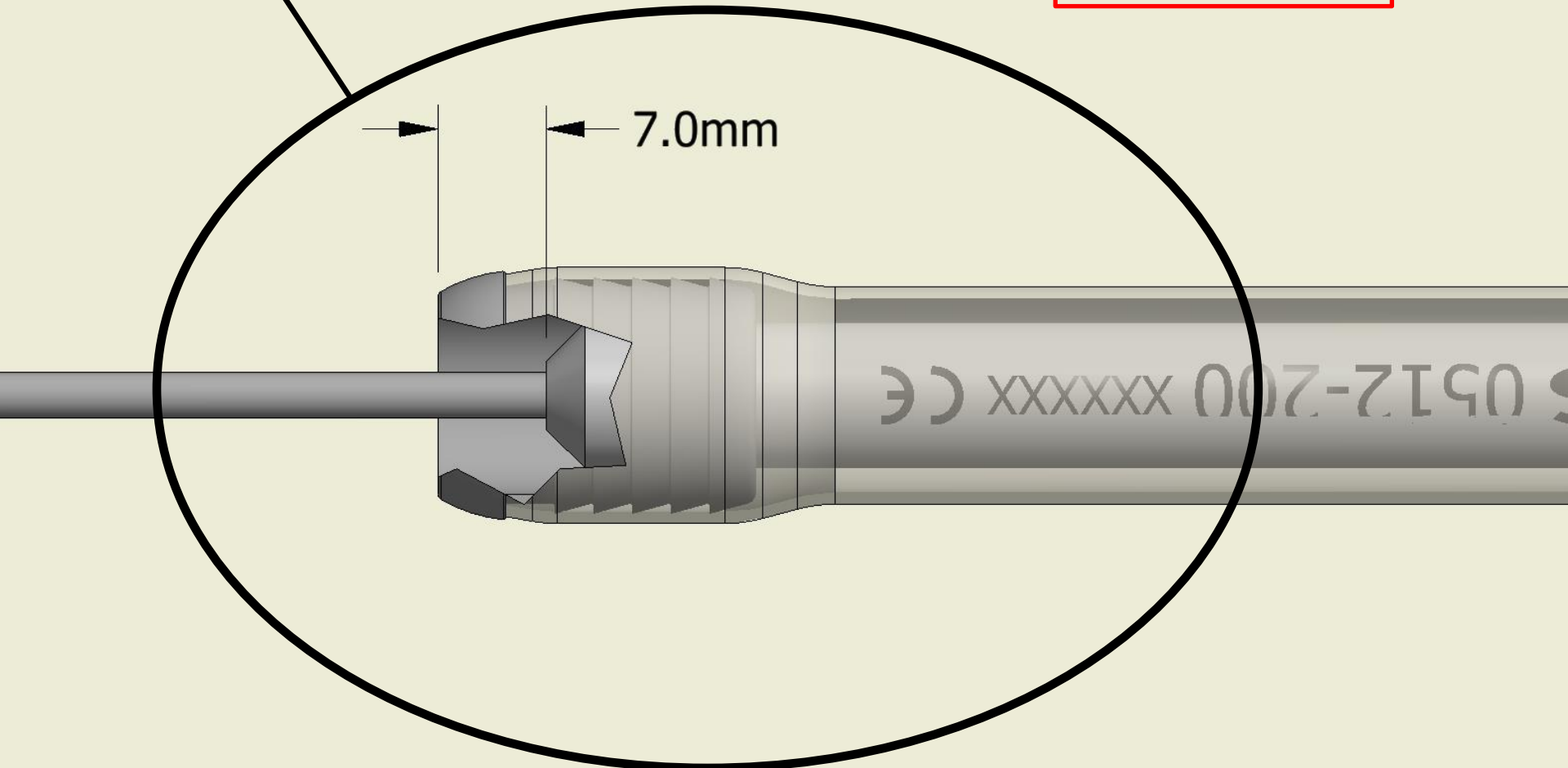
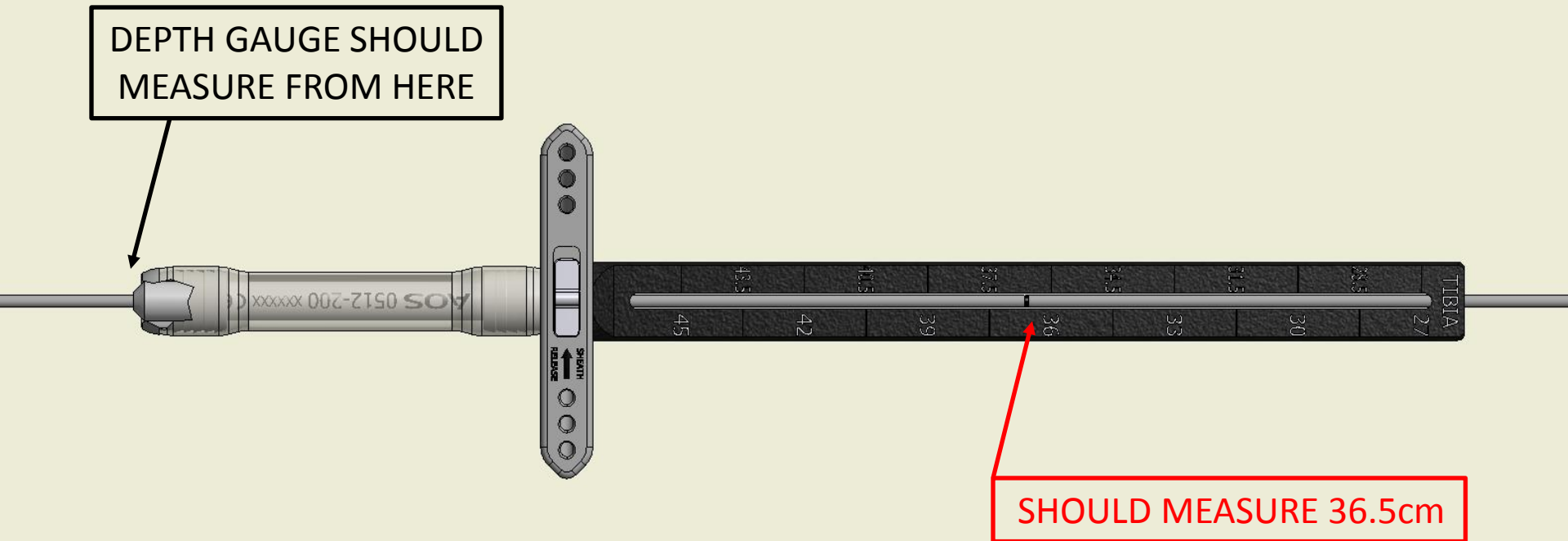


DEPTH GAUGE WILL BE 7.0mm  
SHORT OF SHEATH TIP



MEASURES 37.5cm





MEASURE AND SUBTRACT  $\approx 0.7 - 1.0$ cm